

DRIVER: \_\_\_\_\_

DATE: \_\_\_\_\_

- OPEN
- MEDIUM
- TIGHT

- HIGH
- MEDIUM
- LOW

- SMOOTH
- MEDIUM
- BUMPY

## FRONT SUSPENSION

IN: \_\_\_\_\_

TOE ANGLE:  OUT: \_\_\_\_\_

RIDE HEIGHT

FRONT: \_\_\_\_\_

CAMBER: \_\_\_\_\_

REBOUND STOP: \_\_\_\_\_

CASTER: \_\_\_\_\_

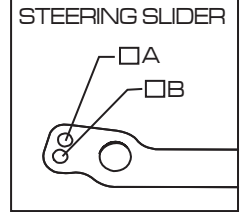
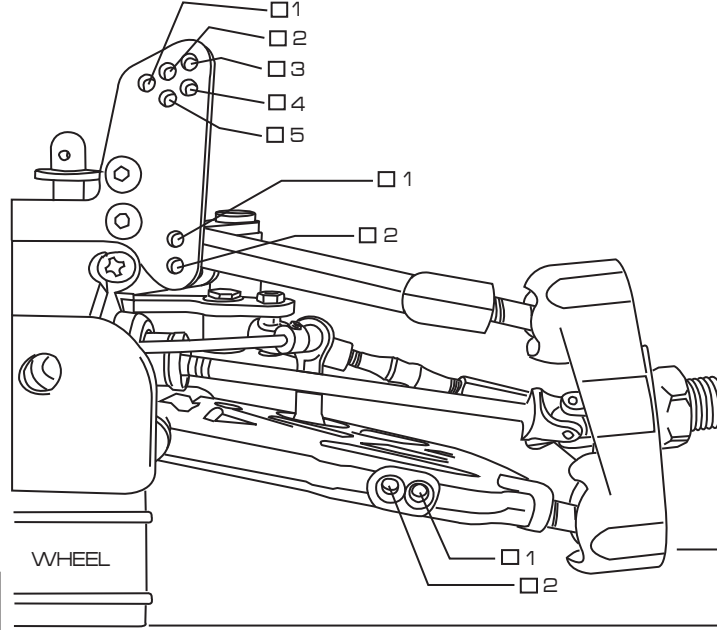
SWAY BAR  2.4mm  
 2.6mm

### FRONT SHOCKS

OIL: \_\_\_\_\_

PISTONS: \_\_\_\_\_  STANDARD  DRILLED \_\_\_\_\_

SPRING: \_\_\_\_\_



NOTES: \_\_\_\_\_  
\_\_\_\_\_  
\_\_\_\_\_

## REAR SUSPENSION

A: \_\_\_\_\_

TOE ANGLE:  B: \_\_\_\_\_

RIDE HEIGHT

REAR: \_\_\_\_\_

CAMBER: \_\_\_\_\_

REBOUND STOP: \_\_\_\_\_

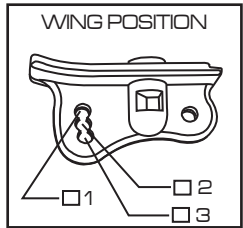
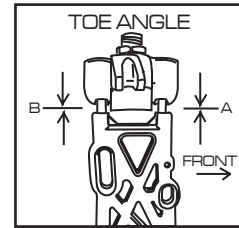
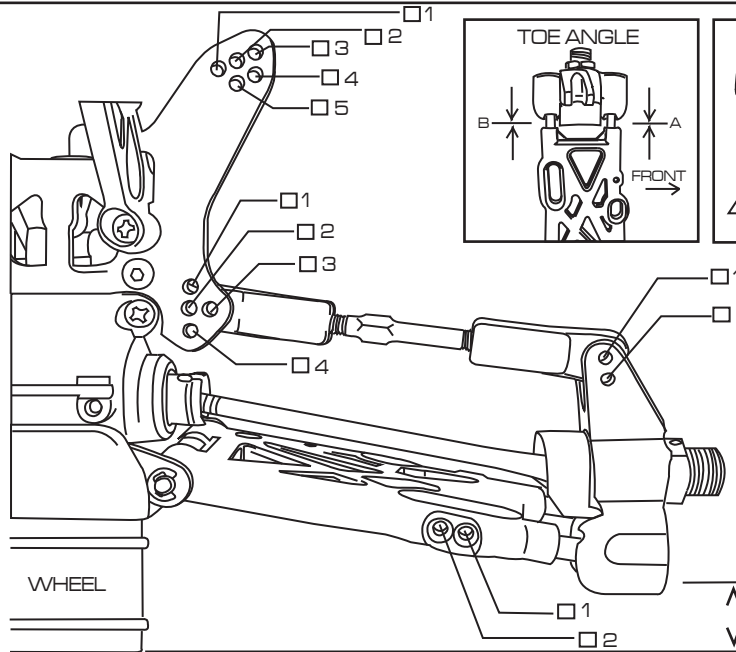
SWAY BAR  2.8mm

### REAR SHOCKS

OIL: \_\_\_\_\_

PISTONS: \_\_\_\_\_  STANDARD  DRILLED \_\_\_\_\_

SPRING: \_\_\_\_\_



NOTES: \_\_\_\_\_  
\_\_\_\_\_  
\_\_\_\_\_

### DIFF OIL

FRONT: \_\_\_\_\_  
CENTER: \_\_\_\_\_  
REAR: \_\_\_\_\_

### TIRES

FRONT  
TYPE: \_\_\_\_\_  
INSERT: \_\_\_\_\_

### REAR

TYPE: \_\_\_\_\_  
INSERT: \_\_\_\_\_

### ENGINE

TYPE: \_\_\_\_\_ MUFLER: \_\_\_\_\_  
GASKET: \_\_\_\_\_mm FUEL: \_\_\_\_\_  
PLUG: \_\_\_\_\_

### CLUTCH

CLUTCH BELL  13T CLUTCH SHOES  
 14T  3 SHOE  
 OTHER \_\_\_T  4 SHOE