

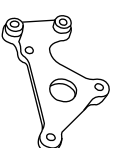
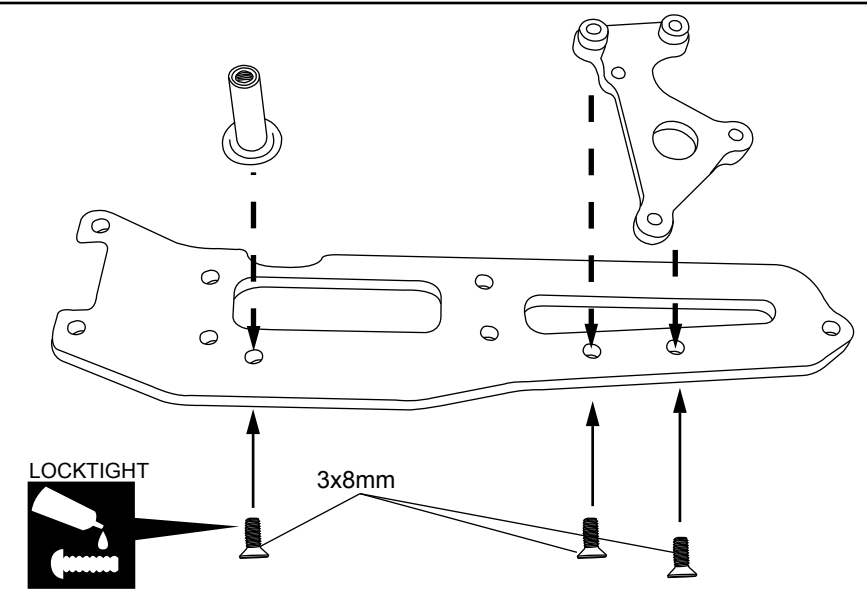


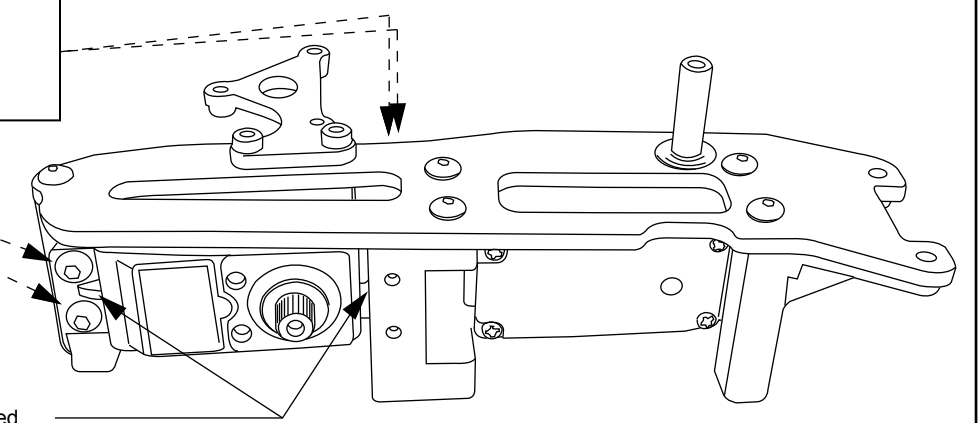
1 PCR RADIO TRAY

- 3x8mm**
-  **3**
 -  **1**
 -  **1**



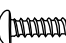
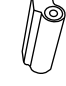
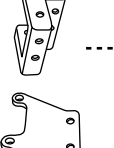
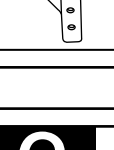
4 PCR RADIO TRAY

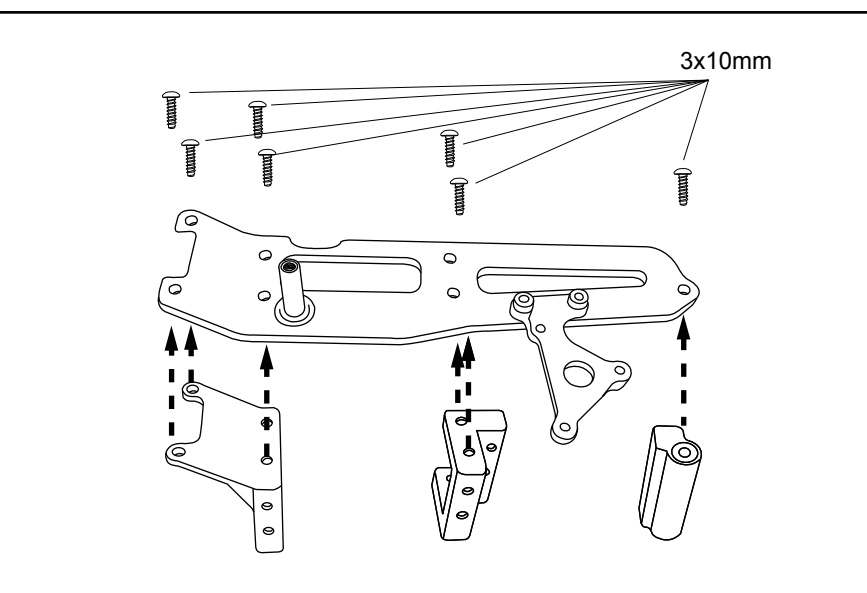
Note: Steering servo may need to be adjusted with 4mm spacers accordingly, depending on servo brand.







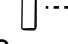
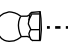



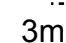


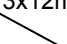
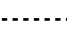
Note: Depending on servo brand, edge on servo mounts may need to be trimmed to allow steering servo to mount flush.

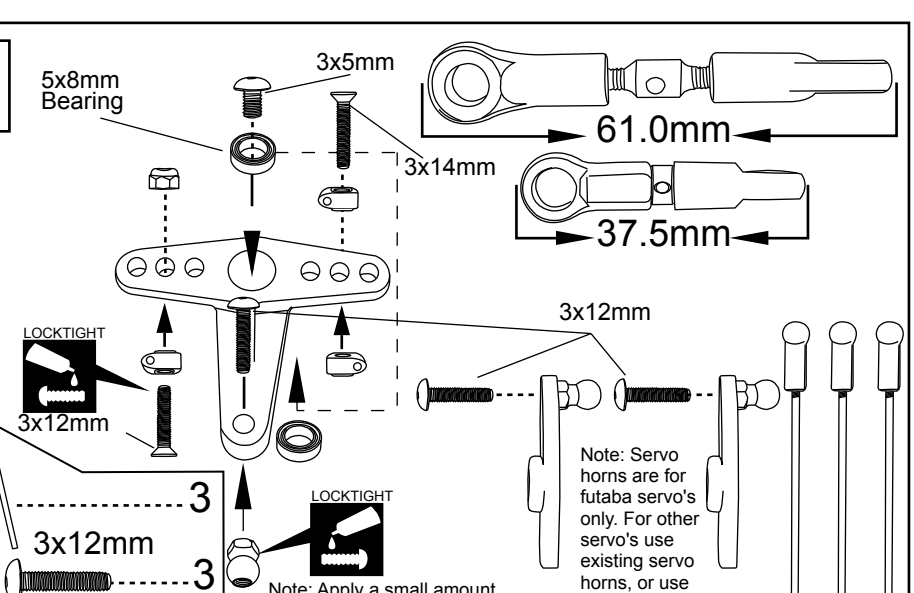
2 PCR RADIO TRAY

- 3x10mm SCREWS**
-  **7**
 -  **1**
 -  **1**
 -  **1**



5 PCR RADIO TRAY

-  **1**
-  **1**
-  **2**
-  **3**
-  **3**
-  **2**
-  **3**
-  **1**
-  **1**
-  **1**
-  **1**
-  **2**
-  **3**
-  **3**

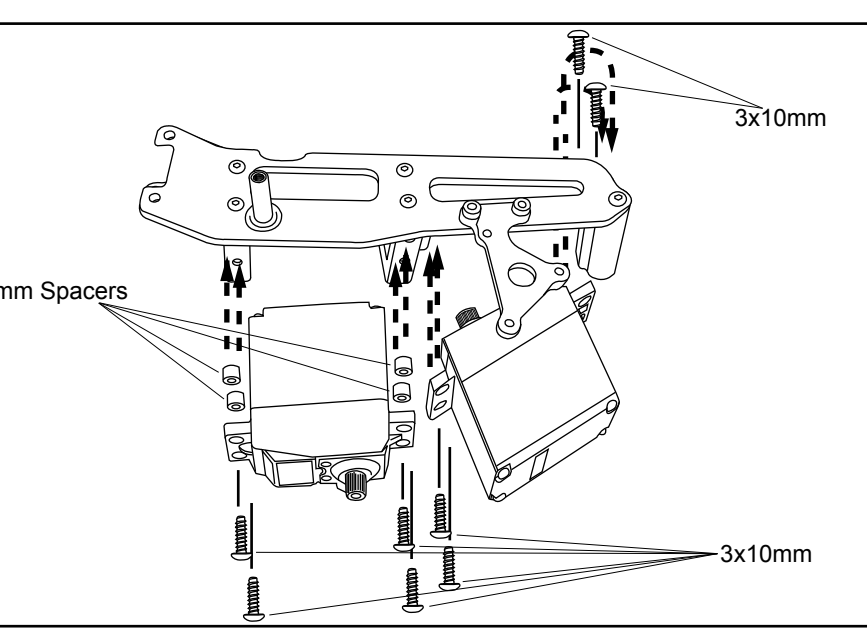


Note: Servo horns are for futaba servo's only. For other servo's use existing servo horns, or use Part #10767




3 PCR RADIO TRAY

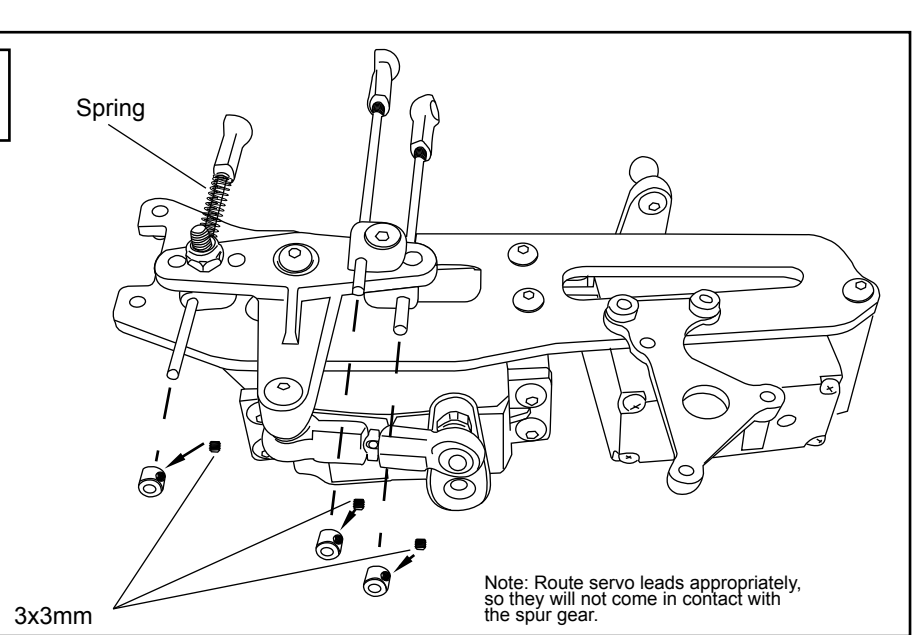
- 3x10mm SCREWS**
-  **8**
 -  **4**

Note: Do not use metal grommet inserts when mounting servo's. 4mm spacers may not be needed depending on servo brand. See Fig.4 for steering servo position.



6 PCR RADIO TRAY

-  **3**
-  **3**
-  **1**



Note: Route servo leads appropriately, so they will not come in contact with the spur gear.